

scanomat®

Pure Coffee

Users / Service manual Venezia II



English edition

Version 1.00

Re-ordering no: x.....

Congratulations on your choice of Scanomat Coffee Brewer.

Should you have any questions regarding the coffee brewer and the operation of it please do not hesitate to contact us.

We are convinced that you will be pleased with your choice!

Operation of the SCANOMAT Coffee Brewer

The Scanomat coffee and coffee speciality brewers are high technology brewers which by means of a micro processor controlled brewing process dispenses various first class quality coffee drinks. Water is heated in the thermostatically controlled hot water tank with automatic water inlet. The water tank has built-in safety switches and an overflow leading to the drip tray. By means of an ingredient throw device the various instant products are led from the canisters to a brew chamber and here water is added. If necessary, the ingredients could be stirred mechanically in the brew chamber before the drink in question is led to the outlet spout. It is possible to choose between cup and jug dispensing. This coffee brewer is equipped with a Bean to Cup brewer.

Important:

Warning:

Please be aware of the danger of scalding (in the dispensing area) when dispensing the various hot drinks.

Warning:

Before cleaning, servicing etc. that require the opening of the front door, the switch situated in the delivery area must be switched off. The brewer has been switched off when the display light turns off and the fan stops.

Note:

Please be aware that the switch only disconnects control circuit, not the power supply.

Warning:

This appliance is not intended for use by persons (including children) with

reduced physical sensory or mental capabilities, or lack of experience and knowledge, unless they have been given supervision or instruction concerning use of the appliance by a person responsible for their safety.

Children should be supervised to ensure that they do not play with the appliance.

Warning:

Access to the service area is restricted to persons having knowledge and practical experience of the appliance, in particular as far as safety and hygiene are concerned.

Note:

The new detachable hose set supplied with this appliance are to be used at installation, and old hoses are not to be reused.

Note:

Hose sets shall comply with IEC 61770.

Warning:

This coffee brewer might be equipped with a Fresh Milk system. Fresh milk is a potential hazardous food, where the safety of the food depends upon the temperature and duration of store, as well as good cleaning and hygienic procedures (HACCP).

Technical specifications:	7
Installation:	9
Table layout (top view):	9
Water connection:	11
Maintenance:	13
Daily cleaning:	14
Empty the dreg bin:	15
Preventive maintenance:	16
Trouble Shooting:	16
Operational procedures:	18
The keyboard:	18
Selection buttons:	18
Preselection buttons	18
Navigation button:	18
The Display:	18
Turning the machine on and off:	19
Dispensing a single standard drink:	19
Preselections:	19
Dispensing carafes:	19
Dispensing decaf selections:	20
Dispensing large cups:	20
Dispensing strong or mild drinks:	20
The menu:	21
Reading out data from the machine:	22
Reading the cup counters:	22
Clearing the cup counters:	22
Reading the product data:	23
Clearing the product data:	23
Adjusting the machine:	24
Adjusting cup sizes:	24
Adjusting drink strength:	25
Adjusting large:	25
Adjusting carafe:	26
Adjusting the temperature:	26
Adjusting the brew limit:	27
Adjusting version:	27
Adjusting the language:	28
Adjusting the watch:	28
Adjusting the timers:	29
Machine settings:	30
Key beep:	30
Child lock:	30
Fahrenheit:	30
Am / Pm time:	30
Display watch:	30
Automatic off:	30
Cup light:	31
Carafes:	31
Mugs:	31
Auto start:	31
Sugar:	31
Adjust lock:	31
Water tank:	31
Weighing:	31
Service key mode:	32
Connection chart:	34

Technical specifications:

Power supply:

Single phase 230 VAC with neutral and ground connection.

Dimensions:

Height: 69,6 cm.

Width: 32,3 cm.

Depth: 57,5 cm.

Water tank:

Hot water tank: Aluminium hybrid boiler.

Weight:

Gross: 44 kg.

Nett 41 kg.

Water connection:

Pressure: 200 kPa (2 Bar) – 600 kPa (6 Bar).

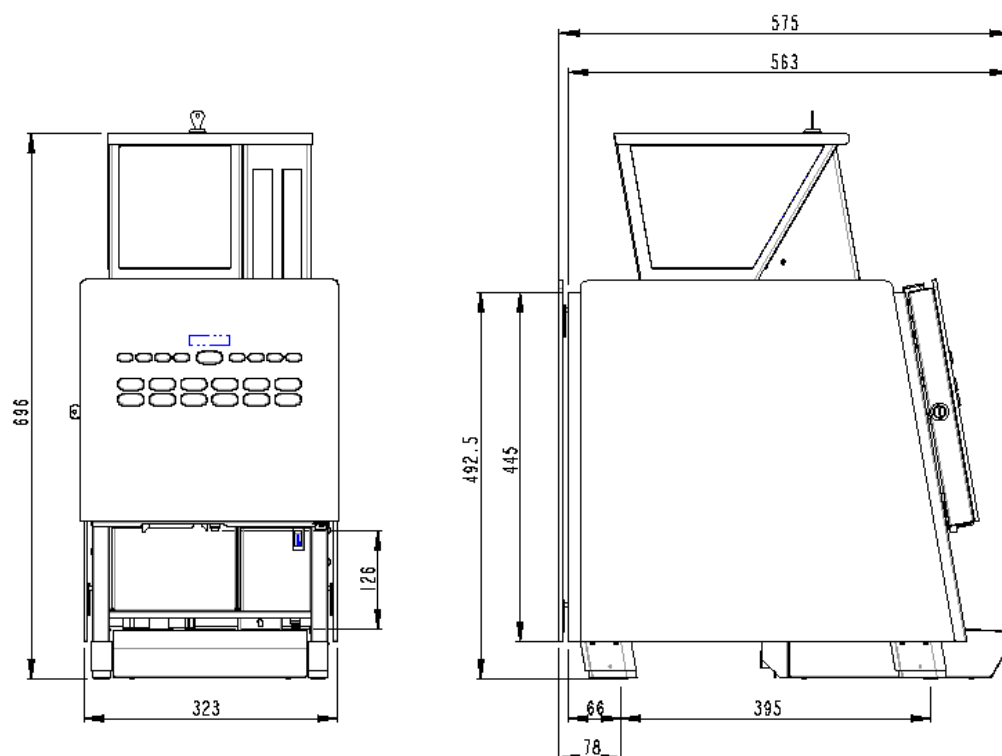
Environment:

Ambient operation temperature: 10-40° C.

Humidity: max. 90% RH.

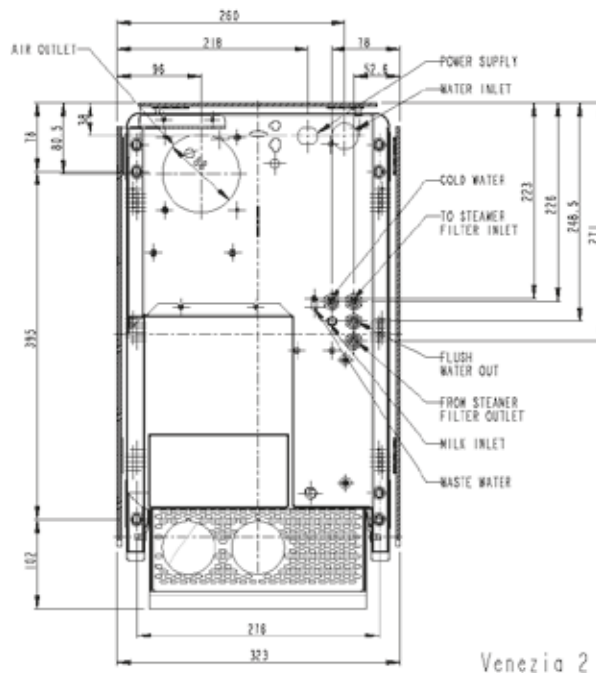
Shelves / transportation:

Temperature: min 1° C.



Installation:

The following installations must be provided		
1.	Electrical Single phase	230 VAC Single phase with ground connection, 2300 W 13 Amp. (priority heating*)
	3 Phase (optional)	400 VAC 3 phase with neutral and ground connection, 6900 W. (optional)
2.	Water Inlet	Pressure 2-6 bar, 200-600 kPa. Flow rate min. 2l./min. Temperature 5-12 °C
3.	Table	See diagram below

Table layout (top view):

Service and repair is only to be carried out by service engineers educated by Scanomat.

The coffee brewer is to be secured additionally in accordance with regulations.

The coffee brewer must be earth connected (yellow/green conductor).

Note:

If the supply cable (power cord) has been damaged, please note that only a maintenance engineer recommended by the manufacturer is to renew it, as special tools are required.

Earth conductor: yellow/green
Neutral conductor: blue
Phase: brown, black and grey

Note:

Place the coffee brewer on a stable table, adjust the levelling feet until the brewer is level from front to back and side to side. Be certain all four levelling feet are in contact with the table to prevent rocking of the brewer. If there is a danger of the brewer falling down from the table it must be bolted down to the table top (unscrew the levelling feet and fasten by screwing through the table top).

Note:

The coffee brewer requires ventilation. Therefore there must be a minimum of 50 mm from the backside of the brewer to the wall. The grating must be inspected frequently and vacuum-cleaned. If the installation site/environment is especially dusty there must be vacuum-cleaned each month.

Note:

Before connecting the coffee brewer draw off some buckets of water by means of the hose (to clean the pipes and to avoid a disagreeable taste). This procedure is also recommended when the brewer has not been operating for some time.

Note:

We recommend that the brewer be switched on permanently due to the ventilation system among others.

Note:

The A-weighted noise pressure level of this appliance is less than 70 dB.

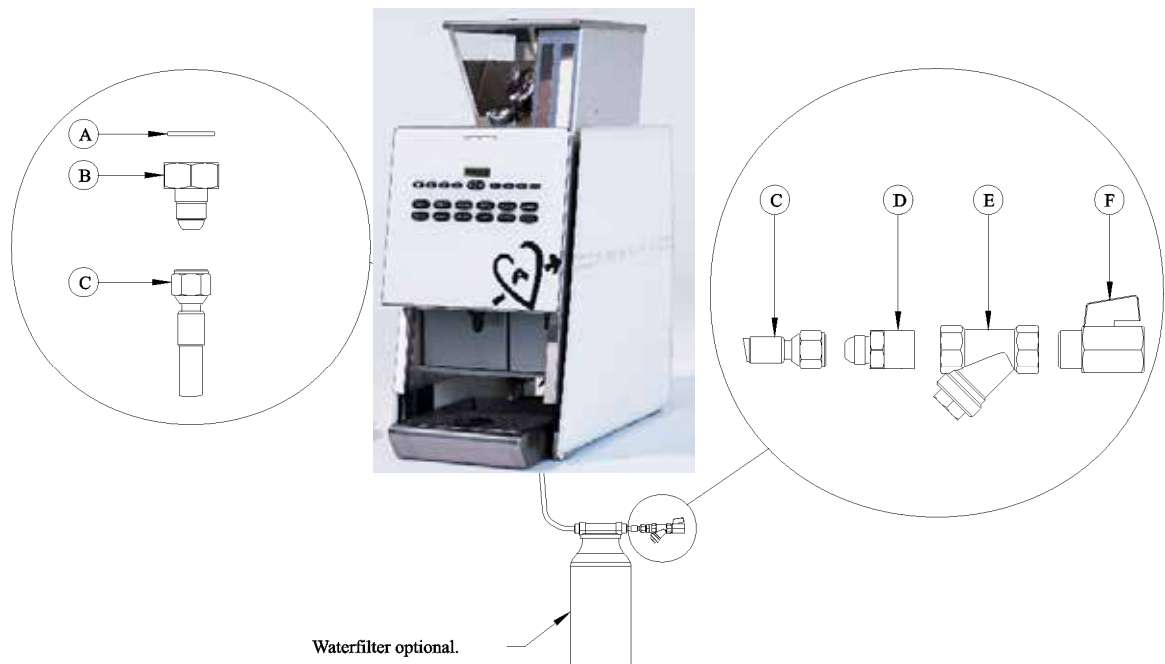
Note:

Coffee brewers equipped with steam generator (fresh milk system) must have a water softner filter in the water supply line.

Water connection:

When the water supply is being established please make sure that the coffee brewer is not situated on the rear end of the water supply system to ensure continuous supply of fresh water (see illustration below).

1. Connect the coffee brewer to the cold water line, which is equipped with an adjustable check valve (1/2" external screw thread G+F). Before connecting the brewer draw off some buckets of water to clean the pipes. If the water is not good quality we recommend that a Scanomat water filter is mounted. A water softener-filter is strictly recommended.



2. Fasten the hose nipple (C), which screws to the connecting nipple (B) (available in angled and straight version).
3. The connecting nipple is to be screwed on to the valve at the bottom of the coffee brewer.
4. Dirt filter (E) and nipple (D) are to be mounted.
5. The flange of the hose (C) is to be mounted on the nipples (D) and (B).
6. Turn on the water and make sure that all joints and connections are tight.

Note:

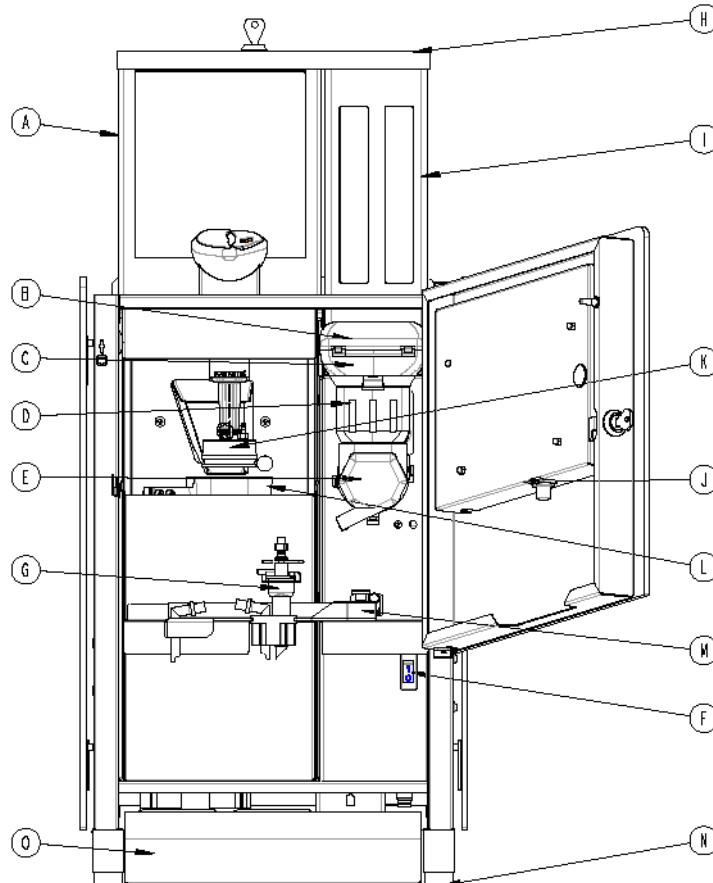
If the water has an “off taste” when heated we recommend that the heated water is drained off the brewer and let the brewer take in fresh water.

After long periods of inactivity (holidays or weekends) when the brewer has not been in operation for some time the water will lose its quality, therefore we recommend activating the “clean programme”, perhaps a couple of times, in order to get fresh water into the tank. This operation could be repeated if necessary.

It is important that the inlet water supply is a primary supply with its own ‘stopcock’ this is to ensure that during daily operation there is a constant water pressure at the inlet.

Maintenance:**General Drawing**

- A Bean canister
- B whipper lid
- C Funnel
- D Mixer bowl
- E Whipper house
- F Main switch
- G Milk foamer
- H Canister lid
- I Soluble canister
- J Programming plug
- K Brewer top piston
- L Dreg scraper
- M Outlet holder
- N Adjustable leg
- O Waste tray

**Important:**

To maintain the high drink quality and efficient operating conditions it is of the utmost importance that all components that are in contact with the drinks are kept clean.

Important:

Machines dispensing beverages must be manufactured, installed and operated in a way that leaves absolutely no risk of impairing or ruining the beverages and shakes. All operations must follow the HACCP regulation.

Important:

Do not immerse the coffee machine into water and do not use high pressure cleaner

Note:

A high degree of frequent daily maintenance secures a high level of trouble free operation of the coffee machine.

Daily cleaning:

Caution: Before starting the cleaning procedure make sure that the coffee brewer is switched off in order to avoid damages and injuries with hot water and moving parts. Make sure to switch the machine off at the machine ON/OFF switch (see point I on the General Drawing). Please note that only the low voltage control circuit will be cut off by this switch, if the internal covers are removed there will still be mains voltage to the required circuits heaters etc. Open the door with the door key.



Turn off Power to Machine



Open door, lift and pull cover.



Flip open mixer lids and clean with the small brush



Pull the outlets to the right



Lift out and empty dreg bin



Pull dreg scraper aside



Clean the area behind and in front of the brewing chamber with the brush



Clean the piston filter with the brush, and a wet cloth.



Clean the scraper with the brush



Pull the clip to release the steam nozzle



Lift up steam nozzle, and clean nozzle hole with the clip.



Disassemble the milk foamer and clean in soapy water.



Replace all parts in
Correct order



Make a final check on
the assembled parts in
The machine



Close the door and
switch on the machine



Open the door and place
a cleaning tablet in the
scraper. Close the door



Remove the hose from milk
container and clean the tube.



Place a jug under the hose
in the fridge.



Close the door, switch on
the machine, and press
YES and CLEAN to start
rinsing mixers and milk
Foamer (2 minutes).



Replace hose in milk
container



Clean the drip tray, wipe down
all surfaces with a clean wet
cloth. Place a cup and test the
machine.

Empty the dreg bin:

Open the door, with out switching the machine off. Take out the dreg bin and empty. Replace the dreg bin and close the door.

Preventive maintenance:

The ingredient canisters are to be cleaned at regular intervals depending on the performance, usage and environment the machine is installed in, and furthermore the quality of the drinking water should also be taken into consideration.

- 1) Use hot water with a mild soap solution
- 2) Remove ingredient canisters (remember to close the coffee bean canister).
- 3) Empty canisters and remove remnants, if any.
- 4) Dismount the ingredient throw auger by pulling out the two snap locks, thus it is possible to pull out the auger. Rinse auger and ingredient canister in the hot water with mild soap solution. **Do not re-install the ingredient canister and auger until they are completely dry.**
- 5) Re-mount the ingredient canisters and fill up with ingredients for one day's consumption. Please make sure that the canisters are completely dry before filling.

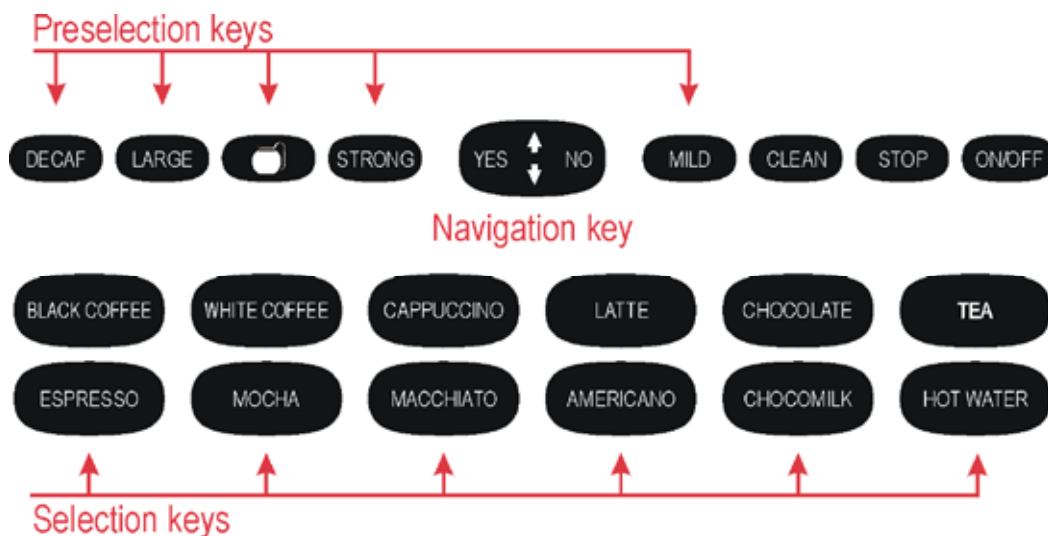
Trouble Shooting:

<u>Problem</u>	<u>Possible cause / solution</u>
No operation at all	Main switch (F) may be off.
Only water is dispensed	No ingredient in the canisters Make sure all augers are tuning when operating
A water tap symbol flashes in the display	Check that water supply has been connected Activate CLEAN programme (press YES+CLEAN)
A thermometer flashes in the display	Press the RESET buttons on the back of the machine. Reset brewer: Press through hole in brewer cover.
Clogged mixing bowl or whipper	Dismount and clean the mixing units. (See daily maintenance)
Dripping from outlet spouts	Activate the clean programme a couple of times
Dripping from the overflow at the bottom of the machine	Activate the clean programme a couple of times
Display shows OVERLOAD	One of the whipper motors or auger motors are overloaded / clogged.
Display shows FILL WATER	Check water supply, clean the top piston filter with a wet Cloth (see Daily Cleaning). Grinding might be too fine.

Display shows SCRAPER ERROR	Clean the area around the brewer chamber (see Daily Cleaning) Press STOP. Clean the scraper.
Display shows TOP PISTON ERROR	Press STOP. Press CLEAN and run the cleaning program. Clean the area around the brewer chamber (see Daily Cl.)
Display shows BOTTOM PISTON ERROR	Press STOP. Press CLEAN and run the cleaning program.
Display shows ERROR when listing temp.	Switch off the machine. Switch on after 5 sec.
Display shows DOOR OPEN	Close the door, and check if the door lock engages.
Display shows NO BEANS	Check coffee bean canister.
Display shows DREG BIN FULL	Open the door and empty the dreg bin.
Display shows	

Operational procedures:

The keyboard:



Selection buttons:

The selection buttons will, when the machine is operational, meaning water in the tank and warm enough dispense the selected drink. Place the cup at the appropriate position. If more positions, the right one, will be indicated on the front of the machine.

Preselection buttons

These buttons will activate a pre selection to the next drink. The preselection buttons may differ from machine to machine and in some machines they may not all be active.

There is a time out of 15 seconds on all preselections.
Multiple preselections are allowed e.g. strong, carafe
Pressing NO or STOP will cancel all preselections

Navigation button:

The navigation button is used to access the menu and programming system of your coffee machine. When in adjust mode the UP and DOWN keys have an automatic repeat function. This is activated by holding the key instead of just giving a single press. In that case the adjustment will “run” instead of just step.

The Display:



The display will show relevant information in clear text, and in symbols.

The thermometer will blink, if the temperature in the water tank is too low for dispensing.

The water valve will blink if not sufficient water in the water tank.

Turning the machine on and off:

There are 2 ways of turning the machine off. Either by pressing and holding the ON/OFF button for 2 seconds, or by switching the power off completely by activating the mechanical switch in the dispensing area.

Using the first option, will keep the electronic board running with a very low power consumption (less than 1 watt). As the internal watch in the machine is dependant on power, always select this way to turn the machine off, if you are using this. When the machine is OFF, the light in the display will be gone, and only the Scanomat logo will be active.

Switching back on is done by pressing the ON/OFF button, or if this setting is active, by pressing a selection button

Dispensing a single standard drink:

Place a cup under the proper dispensing outlet and press the selection button. If more than one outlet is available, a graphic on the front of the machine will show which selections correspond with which outlets. While brewing the display will show the name of the selected drink



It is not possible to interrupt the dispensing of a single drink.

Preselections:

Apart from the direct selection buttons, a number of preselection possibilities are available, these will be explained in detail hereafter. The preselections can be used more than one at a time, for example a carafe of strong decaf coffee is possible, if the machine has all these 3 options available. To cancel any preselection, press STOP or NO. All the preselections are controlled by a timer meaning that if no selections is made within 15 seconds after the preselection, this will time out. After the drink is dispensed, all preselections are reset, so if e.g. 2 strong coffees are wanted the, strong needs to be pressed before each cup.

Dispensing carafes:

Making a carafe of any product in this machine is always carried out as making a number of cups of the selection in question.

Place a carafe under the proper dispensing outlet. If more than one outlet is available, a graphic on the front of the machine will show which selections correspond with which outlets. Either press a direct carafe button, if such is available on the keypad, otherwise use the navigation button to scroll up to a carafe. The display will show:



While brewing the display will show the name of the selected drink and the number of cups left for this carafe.

Pressing STOP or NO any time during a carafe brew will terminate the brewing **after** finishing the ongoing cup.

Dispensing decaf selections:

If the machine is equipped with DECAF coffee, it is able to dispense all selection containing coffee or espresso in a decaf version. Press the DECAF pre-selection and the display will show



Pressing a selection will now dispense the corresponding drink with all coffee or espresso products substituted with decaf coffee. If the selection is a drink without any coffee or espresso in it e.g. a chocolate, the preselection will not influence the drink.

Dispensing large cups:

When large is selected, the machine will dispense a cup, which is a certain percentage larger than the standard cup. This means that a large cup is not necessary the same size for all selections.

Either press the direct LARGE button, if such is available on the keypad, otherwise use the navigation button to scroll up to LARGE. The display will show:



Then press the desired selection.

Dispensing strong or mild drinks:

It is possible to adjust the strength for each individual drink by pressing STRONG or MILD prior to pressing the selection. The strength can be adjusted in +/- 10 steps. The display will show:



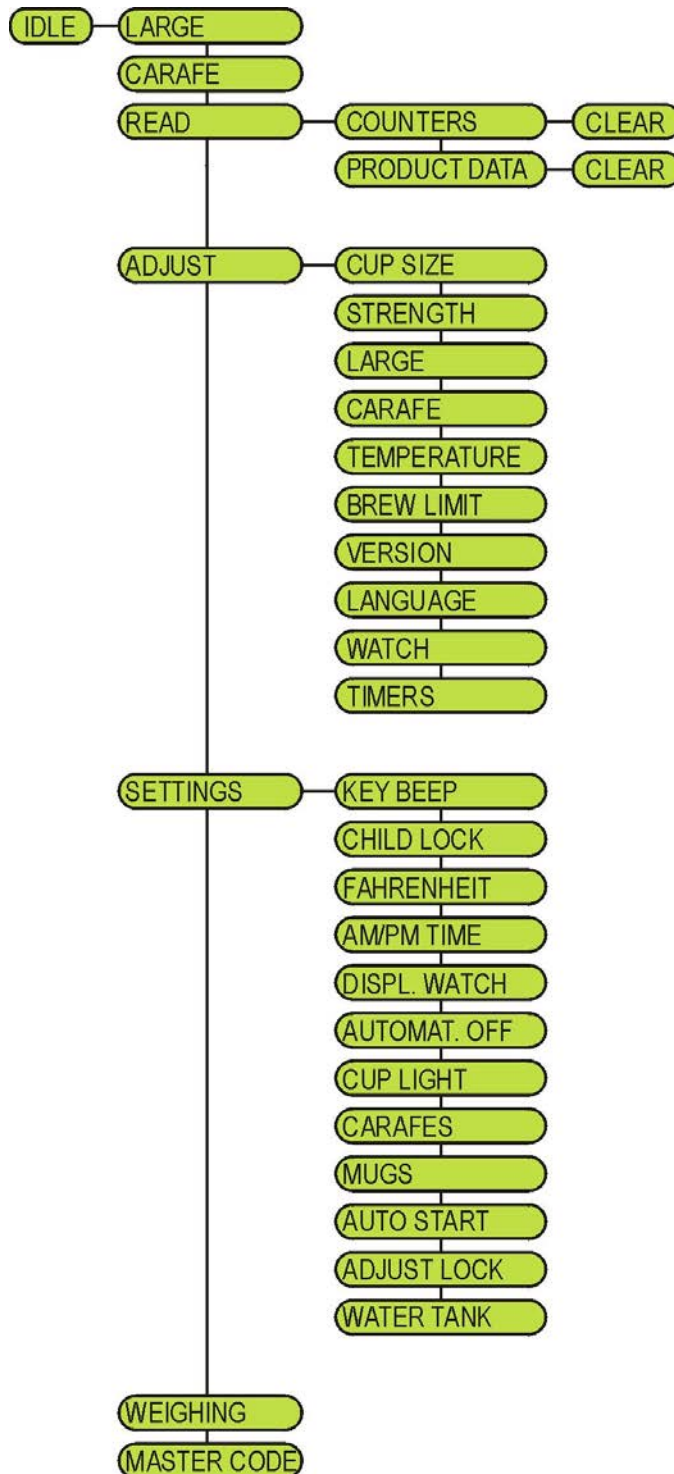
Which product in the drink that is influenced by this preselection varies from selection to selection. E.g. in a Cappuccino, strong and mild will affect the coffee only.

The menu:

Using the navigation button, the menu system for accessing all audit data, adjustments and settings of the machine can be reached. Pressing the arrow up and down, YES to enter a function, NO to go back one step, does the navigation through the different menus.

Please note that not all menu points described in this manual is available in all machines, as this can vary with different configurations.

The following sketch shows an overview of the complete menu system.



Reading out data from the machine:

Some data can be read out your coffee machine directly from the keyboard. Number of possibilities may vary from configuration of your machine Press the navigation button UP until following appears:



Press navigation button YES, and the first adjustable parameter will appear in the display. Pressing UP and DOWN will scroll between the possibilities.

Reading the cup counters:

Enter the read menu as described above, scroll to:



Press YES, and the display will show:



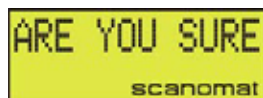
3157 being the total number of cups dispensed, including any cups, which were parts of a carafe. When the above display is shown, the individual cup counters for each selection can be read by pressing the selection buttons accordingly.

Clearing the cup counters:

Depending of the configuration of your machine, it may be possible to clear the cup counters (set them all to 0).

Clearing the counters also requires the machine to be in SERVICE KEY mode.

Use the procedure above to read out the total cup counter. When the total is in the display, press CLEAN, and the display will show:



Press YES to clear all the counters or NO to go back.

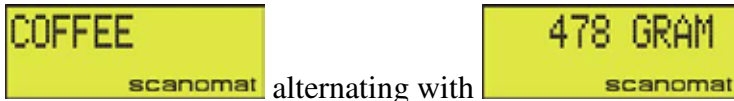
Reading the product data:

If your machine is running with the quality key system, either based on the magnetic keys or the contact less TAGS, the amount of products in the memory can be read out.

Enter the read menu as described above, scroll to:



Press YES, and the display shows (example):



Pressing UP and DOWN allows you to scroll through the different products in your machine. Press NO to go back.

Clearing the product data:

Depending of the configuration of your machine, it may be possible to clear the product data (set them all to 0). This will cause the machine to be locked against dispensing until new quality keys has been inserted.

Clearing the product data also requires the machine to be in SERVICE KEY mode.

Use the procedure above to read out the product data. When these total is in the display, press CLEAN, and the display will show:



Press YES to clear all the product data or NO to go back.

Adjusting the machine:

A lot of different parameters in the machine can be adjusted directly from the keyboard. Press the navigation button UP until following appears:



Press navigation button YES, and the first adjustable parameter will appear in the display. Pressing UP and DOWN will scroll between the possibilities.

Adjusting cup sizes:

The cup size can be adjusted for each selection independently. The pre-programmed cup size is referred to as 100% and not as a fixed volume, as the size may differ from selection to selection.

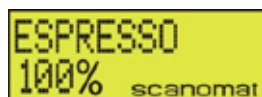
Enter the adjust menu as described above, scroll to:



Press YES and the display shows:



Press a selection button and the display shows:



Press UP or DOWN to reach the desired level and press YES to confirm. The machine will then return to:



and a new selection can be adjusted or the function can be abandoned by pressing NO.

Adjusting drink strength:

The drink strength can be adjusted for each product for each selection independently. The pre-programmed strength is referred to as 100% and not as a fixed amount, as it differs from selection to selection.

Enter the adjust menu as described above, scroll to:



Press YES and the display shows:



Press a selection button and the display shows (example)



This is pre-programmed amount of COFFEE in the selected drink. Press UP or DOWN to reach the desired value and YES to confirm. If the selected drink has more than one adjustable ingredient, the procedure will be repeated. When no more adjustable ingredients in the current selection, the display will return to:



Either select a new drink to adjust, or press NO to go back.

Adjusting large:

The large function is a way to make a selection a percentage bigger than the standard cup size for a selection. This is calculated as adding a percentage to the pre-programmed size.

Note that if the large function is not active in your machine, this parameter will not appear in the adjust menu.

Enter the adjust menu as described and scroll to:



Press YES and the display shows:



Press UP or DOWN to reach the desired value and YES to confirm.

Adjusting carafe:

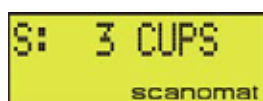
The carafe function is a way to make number of cups of a selection. Depending on the configuration of your machine, it may have 1, 2 or 3 different carafe sizes (small, medium and large).

Note that if the carafe function is not active in your machine, this parameter will not appear in the adjust menu.

Enter the adjust menu as described and scroll to:



Press YES and the display will show:



S indicating the small carafe. Press UP or DOWN to reach the desired value and YES to confirm.

This way all 3 possible carafe sizes can be adjusted.

Adjusting the temperature:

This is the working temperature of the boiler in the machine, and not the actual temperature of the dispensed drink. This is lower due to mix with products and handling inside the machine. The temperature of the tea water will be within 5° of this setting.

Enter the adjust menu as described and scroll to:



Press YES and the display will show:



Press UP or DOWN to reach the desired value and YES to confirm. A max limit for this adjustment is pre-programmed into the machine preventing you from setting the temperature too high.

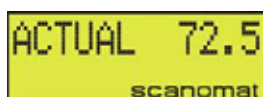
Adjusting the brew limit:

The brew limit is the lowest temperature of the boiler, where the machine will allow dispensing of drinks. If the temperature of the boiler is below this value, the thermometer icon in the display will be blinking.

Enter the adjust menu as described and scroll to:



Press YES and the display will show:



Press UP or DOWN to reach the desired value and YES to confirm. A min limit for this adjustment is pre-programmed into the machine preventing you from setting the value too low.

Adjusting version:

Your coffee machine MAY be programmed with more than one set (version) of recipes. If this is the case, you can switch between these different set by adjusting the active version.

Enter the adjust menu as described and scroll to:



Press YES, and the display will show:



Press UP or DOWN to reach the desired value and YES to confirm. If you adjust the version to a position in which no recipes are programmed into your machine, the result will be the display showing:



When ever a selection key is pressed.

Adjusting the language:

Your coffee machine may be programmed with different display languages. To select the desired language first enter the adjust menu as described and press UP or DOWN until the display shows:



Press YES, and the current language will be displayed. Press UP or DOWN to reach the desired language and YES to confirm. If the desired language is not programmed into your coffee machine, the texts will be in English.

Adjusting the watch:

Your coffee machine is equipped with a watch. The watch is running on the external AC, counting the pulses from the power supply. This means that if the mains is cut off, the watch will stop. So in order to keep the watch running and accurate, the machine can only be switched off by means of the keyboard. See section “Turning the machine on and off”.

Enter the adjust menu as described and press UP or DOWN until the display shows:



Press Yes, and the display will show the current time with the minutes blinking. Adjust these by pressing UP or DOWN and YES to confirm. Adjust the hours in the same way.

Adjusting the timers:

Your coffee machine is equipped with 4 programmable timers. These are designed to power the machine down in certain periods. The timers are all 24 hour based, meaning that not weekly or monthly functions are available.

Enter the adjust menu as described and press UP or DOWN until the display shows:



Press YES, and the display will show (example)



With the minutes blinking. OFF indicating that this is the time where your coffee machine will power off. Use the UP, DOWN and YES to adjust this time, and thereafter repeat the procedure with the ON time. After that, you will get the option to activate or deactivate the timer in question.

Example: If you want your coffee machine to power down between 23:00 in the evening and 6:00 in the morning, adjust the timer1 to OFF : 23:00 and ON : 6:00 and set it to activated.

If you are using more than one active timer, make sure that the timer periods are not overlapping.

You do not need to go through all timer adjustment to set just one. When finished with one timer, simply press NO to go back out.

Machine settings:

The machine settings are a lot of different parameters, which can be selected or deselected by you. . Press the navigation button UP or DOWN until following appears:



Press YES and the display will show:



Use UP and DOWN to scroll through all the different settings and press YES to change the setting currently in the display and following will appear (example):



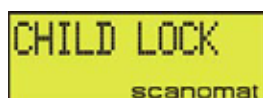
Press YES and the current status will appear in the lower line of the display. Use UP or DOWN to alter this and YES to confirm.

Key beep:

Is simply the response sound when you press a button on the keyboard.

Child lock:

Is a function to prevent children from unintentionally activating your coffee machine. If this function is active, taking a selection is done by first pressing YES, and while holding this pressed, pressing the selection button. Pressing the selection button alone in this mode will cause an alarm, and the display will show:



Fahrenheit:

Is an option to have the temperature in the boiler displayed in Fahrenheit instead of Celsius (or centigrade).

Am / Pm time:

Is selecting between the Am / Pm way of showing the time and the 24 hour system.

Display watch:

Is choosing whether the watch should appear in the display, whenever your coffee machine is in idle mode.

Automatic off:

If this setting is activated, your coffee machine will automatically turn itself off, if has been inactive for 15 minutes.

Cup light:

Your coffee machine may be equipped with a light illuminating the dispensed drinks. If this is the case, it can be activated or deactivated by means of this function.

Carafes:

If your machine does not have the direct carafe buttons on the keyboard, the menu activated carafe function can be activated or deactivated by this function.

Mugs:

If your machine does not have the direct large button on the keyboard, the menu activated large function can be activated or deactivated by this function.

Auto start:

If this function is active, pressing a selection button when your machine is off will cause it to turn on, heat up, and dispense the selection when it is ready.

Sugar:

Your coffee machine may be equipped with a sugar preselection possibility. If so, the function can be activated or deactivated here.

Adjust lock:

If adjust lock is activated, the menu system is locked out, so only carafe, large and read are available. To enter the rest of the menu, the machine must be in SERVICE KEY mode. Note that setting this function to active is irreversible, unless you have the option to go into SERVICE KEY mode.

Water tank:

Your coffee machine may be equipped with as well external water supply as an internal cold-water reservoir. If this is the case, selecting between these 2 options is done by this function.

Weighing:

Weighing is a programme, where drinks are dispensed without water and whipping. The purpose is to verify the dispensed amount of products in the drinks.

Press the navigation button UP or DOWN until the display shows:



Press YES and the display will show (example):



Pressing a selection button will now cause the machine to dispense the CHOCOLATE product included in this drink. If the selected drink does not contain CHOCOLATE, nothing will happen.

Use UP and DOWN to select between the different products in the machine.

To get an average, take at least 5 portions before weighing it.

Service key mode:

Service key mode is a mode, which allows extra functions depending of the configuration of your machine.

There are a number of possible ways to enter this mode:

If your machine is equipped with the quality key system, either based on magnetic cards or contact less TAGS, a service mode key or TAG has been supplied with the machine.

If neither, the Service key mode can be obtained by pressing a sequence of buttons on the keyboard. There may be a maximum delay in between 2 presses of 1 second.

The code is al follows:

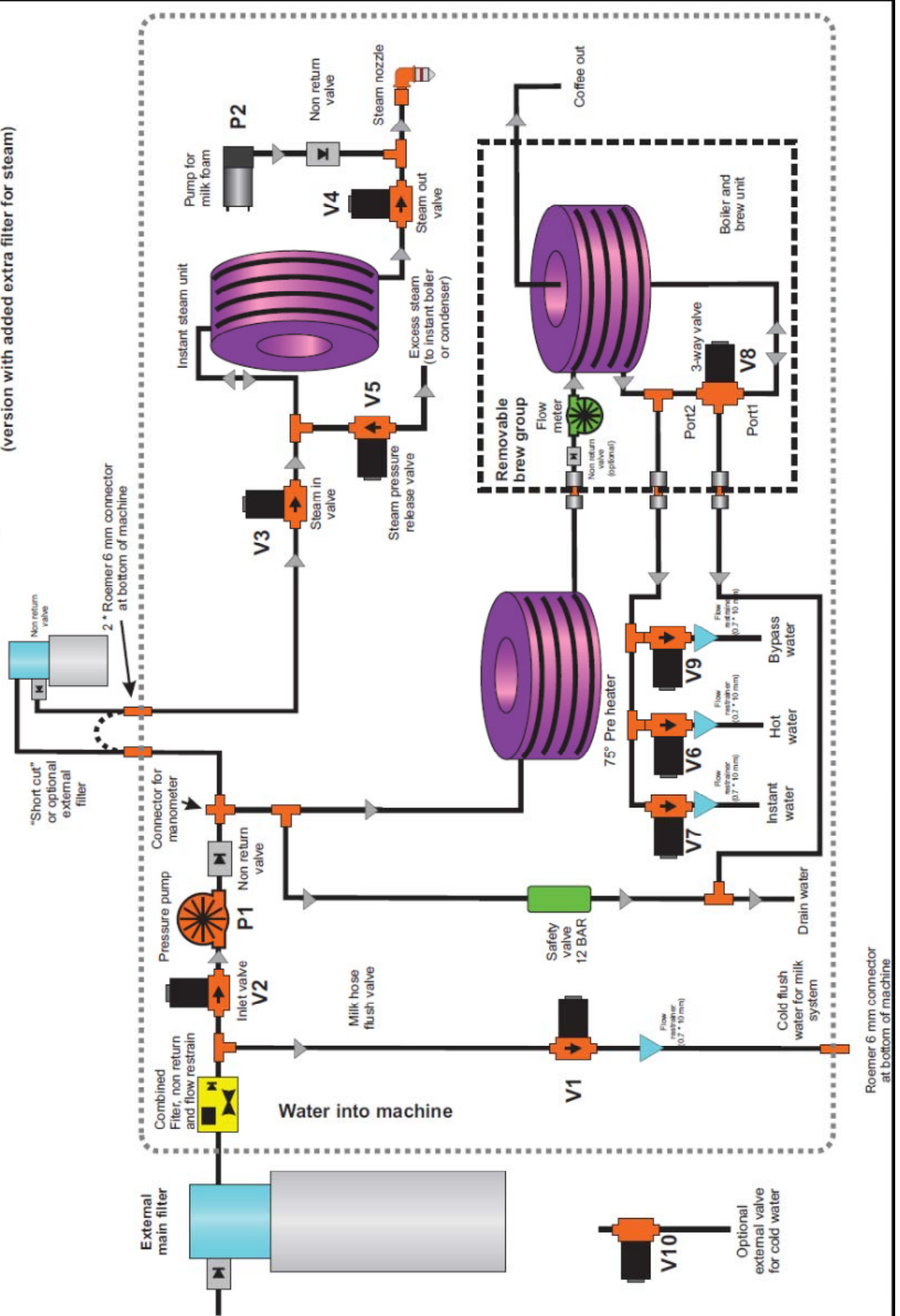
DECAF/SMALL CARAFE
UP
STRONG
MILD
DOWN
LARGE/MEDIUM CARAFE

The machine will acknowledge by a sound.

The service key mode is left automatically after 30 seconds without any buttons being pressed.

Hydraulic scheme Venezia 2

(version with added extra filter for steam)



Connection chart:

